

Sink KE Gun Metal

Kitchen Sinks

Code: 2154 856



DETAILS

Coloring Gun Metal

Edge/Installation Type Undermount

Finish PVD

Material AISI 304 stainless steel

Texture Foster brushed

Base 60 cm

Dimensions 490x440 mm

Standard fittings Fixing hooks, gasket, drain, overflow and siphon, boxed packing

Mixer holes No standard holes

Built-in hole [View technical data sheet](#)

Drainer No

Width 49 cm

Bowl dimension 450x400mm

Number of bowls 1 bowl

Waste fitting 3,5" drain

FEATURES

Gun Metal The Gun Metal finish is obtained by treating steel with a physical process called PVD (Physical Vacuum Deposition) which deposits particles of noble metals on the surface. The result is a unique and refined aesthetic effect, and an improvement of the mechanical properties of the steel which is more resistant to impact and scratches.

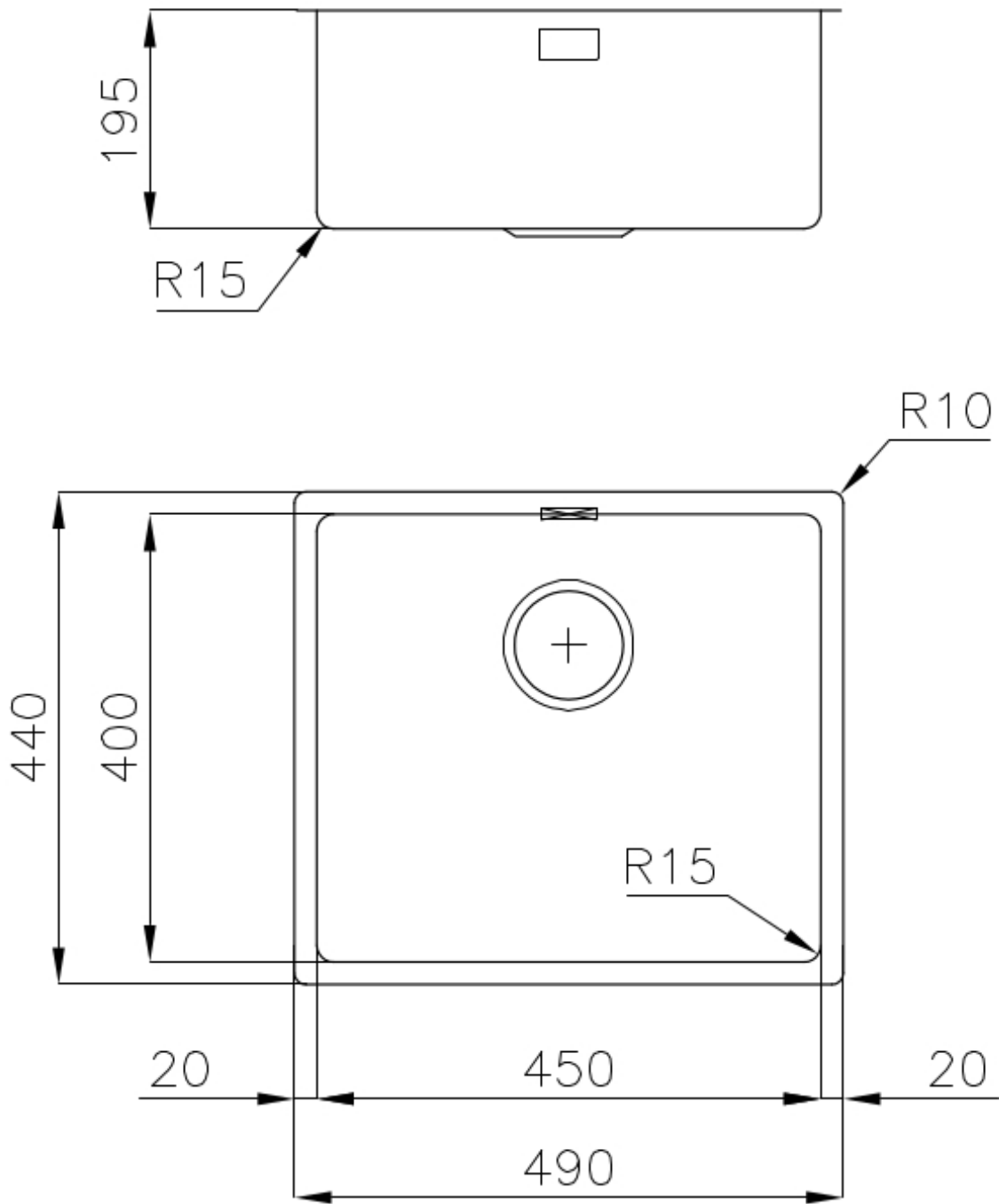
High thickness 1mm thick steel. A significant thickness, which guarantees the maximum sturdiness and durability.

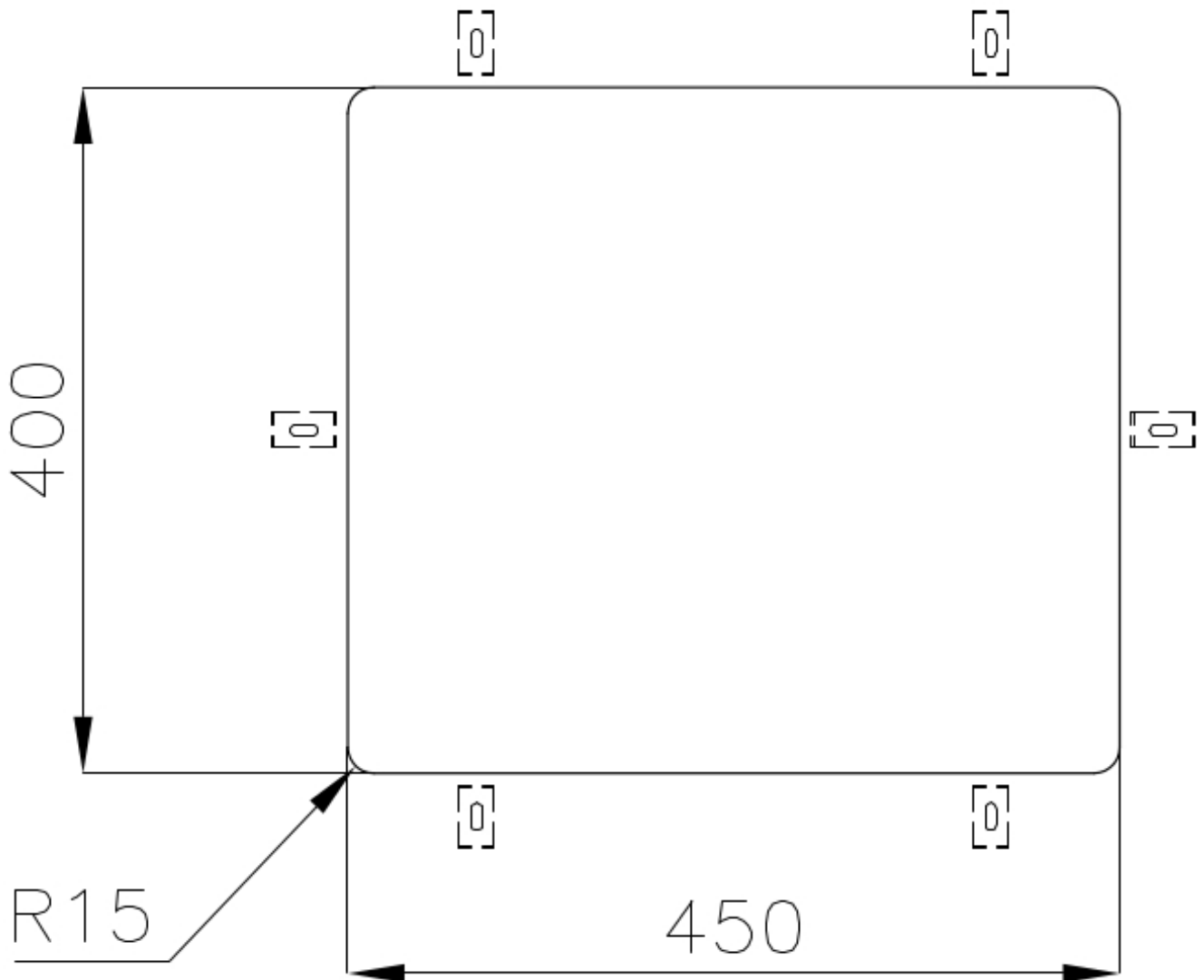
Basket 3,5" waste fitting The drain is equipped with a large 3.5" drain, with the practical basket cap that prevents the discharge of solid parts.

Perimetral overflow The overflow is always a security on the Foster sinks that prevents the overflow of water in case of oversights. The perimeter drain solution improves aesthetics thanks to its square and essential shape.

Small radius Bowls with squared shapes with a modern design and an increased capacity, for a minimal aesthetics connected with an extreme practicality.

TECHNICAL DATA





Cut out size
Dimensioni per foratura top

GALLERY



OPTIONAL ACCESSORIES



Cestello inox
8612 000



Glass chopping board
8631 300



HPDE Chopping board
8657 001



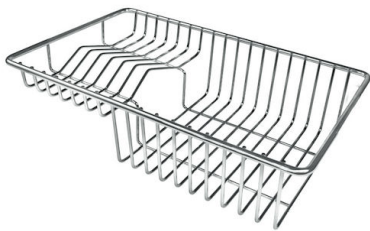
HPDE Twin chopping board
8644 101



Stainless steel colander
8154 000



Stainless steel plate rack
8100 154



Stainless steel plate rack
8100 303



White basket
8612 100



White bowl
8153 100

* only in combination with the accessory
8644 101



Graters kit with ring-holder and food collection tray

8159 101

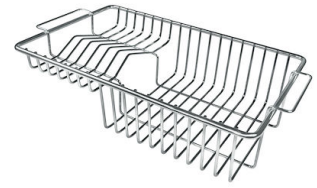
* only in combination with the accessory
8644 101



Stainless steel perforated tray

8151 000

* only in combination with the accessory
8644 101



Stainless steel plate rack

8100 201

RECOMMENDED PAIRINGS



Mixer Tap Omega Gun Metal

8497 856



Mixer Tap Skin Gun Metal

8424 856

OPTIONAL AUTOMATIC WASTE FITTINGS



Gun Metal automatic waste fitting

8407 110



Space Push Gun Metal automatic waste fitting

8407 120